



**waratah**  
HULTDINS  
*SuperSaw*™



When it comes to grapple saws the Hultdins SuperSaw range has been the natural choice among loggers all around the world for many years. The Super Saw cassette is best mounted on a Hultdins grapple, together they form a powerful grapple saw package that can be used for cutting, sorting and loading.

The overall goal in all forestry operations is increased efficiency. The Hultdins SuperSaw is developed to help you reach this goal. A complete line of products with high productivity combined with low down time has over the years made the Hultdins SuperSaw become the most sold grapple saw in the world.



SS350E on the Hultdins A-Grapple, an unbeatable combination in slash handling.

## Hultdins SuperSaw - Flexibility in a nutshell

No grapple that works 100% in standardized assortments needs a grapple saw – but all other grapples do.

The Hultdins SuperSaw is designed to give your grapple that extra flexibility. No matter if it's about 24hrs continuous bundle cutting of eucalyptus in Brazil, weight optimization of your biomass truckload or top trimming in a tree length operation, Hultdins has a grapple saw for you.

With Technical Development, Product Performance and Quality as driving forces the Hultdins engineering department has become known for it's innovation and helped customers all over the world increase their productivity. Automatic chain tensioning saves time for the operator. Combined with the proportional chain lubrication it also increases cutting performance and significantly reduces wear

on drive sprockets, nose wheels and saw chains.

Hultdins has been developing grapple saws for almost 40 years and today we have the widest product range in the world. This range of products is distributed by experienced dealers worldwide with good access to both parts and technical support. Design principles, choice of materials and the highly automated production methods are the same for our SuperSaw range as for our world leading SuperGrip grapples.

Last but not least; we are well aware of the fact that it is only your success with our product that can give us a next sale.

In nine cases out of ten: If you have the application Hultdins has the Grapple Saw!

# Hulldins SuperSaw – a complete grapple saw range

The SuperSaw range starts with the lightweight SS350E that together with the unique Hulldins A-Grapple is optimized for slash handling. It continues with on-road truck models and goes all the way to the heavy duty excavator model SS650S.

For each Hulldins grapple there is a grapple saw, and for each grapple saw there is a number of applications. Below you will find a table that shows what grapple saw fits what grapple, and also an application guide that helps you put together the right package for your specific job.

| Gripare            | SuperSaw 350E | SuperSaw 550 | SuperSaw 555S | SuperSaw 555S-HD | SuperSaw 650S | SuperSaw 6000S |
|--------------------|---------------|--------------|---------------|------------------|---------------|----------------|
|                    |               | SuperSaw 551 |               |                  | SuperSaw 651S |                |
| SGII 260, -S,-R,-A | X             | X            |               |                  |               |                |
| SGII 300, -S,-R,-A | X             | X            |               |                  |               |                |
| SGII 360, -S,-R,-A | X             | X            | X *           |                  |               |                |
| SGII 420, -S,-R,-A | X             | X            | X *           |                  |               |                |
| GLC40              |               | X            |               |                  |               |                |
| GLC50              |               | X            |               |                  |               |                |
| SG260, -S,-R       |               | X            |               |                  |               |                |
| SG360, -S,-R       |               | X            | X *           | X *              |               |                |
| SG420, -R          |               | X            |               |                  |               |                |
| SG520, -S,-R       |               | X            | X *           | X *              | X *           | X*             |
| SG720S             |               |              |               |                  |               | X*             |

\*) Only suited for S-grapples

| Application        | Recommended grapple saw   |
|--------------------|---|
| Slash handling     | SS350E is a light weight grapple saw mainly designed for slash handling where we recommend it is used together with the Hulldins A-grapple. The A-grapple forms the slash in a bundle like shape which makes it easier to cut. The SS350E is also available with a 3/4" bar and chain.  |
| Forwarder mounted  | SS350E combined with the A-grapple is best for slash forwarding. If a stronger saw package is required the SS550 is the natural choice.   |
| Truck mounted      | SS550, -551 is a well proven and very popular grapple saw for truck mounts. The SS550, -551 fits every SG, SG II and GLC grapple model. Also the SS350E could in lighter applications be considered. The SS350E has excellent cutting capacity but the saw frame is lighter and not as strong as the SS550, -551.   |
| Stationary crane   | Both the SS550, -551 and SS555S are suitable for stationary cranes. For the tougher applications where the highest productivity is required choose the SS555S.  |
| Cutting of bundles | For bundle cutting of for example eucalyptus we recommend the SS6000S combined with the SG 520S or SG720S grapple. The key to superior cutting performance with minimal down time in this type of application is the high torque 40 cc motor, a 3/4" chain with automatic tensioning, high feed out force and plenty of lubrication. SS6000S has 2 different sizes of oil tanks available. The heavy duty (HD) mount fits rotators with Ø 173 (M16) and Ø 203 (M20) bolt circles. |
| Excavator mounted  | The SS555S, SS650S, -651S or SS6000S with the heavy duty mount on any of the above indicated S grapples does the job on an excavator. It is important to always use the heavy duty (HD) mount and an S-grapple on excavators. The HD mount fits rotators with Ø 173 (M16) and Ø 203 (M20) bolt circles.   |

## Grapple saws

The majority of our grapple saws are used for full tree harvesting, so they're mostly sold outside Sweden. This means they're less well-known in Sweden, but internationally Hultdins' grapple saws are the most dominant brand by far. With five different grapple saw series, each encompassing several models, we have the market's widest range.



SuperSaw 350E



SuperSaw 550, 551



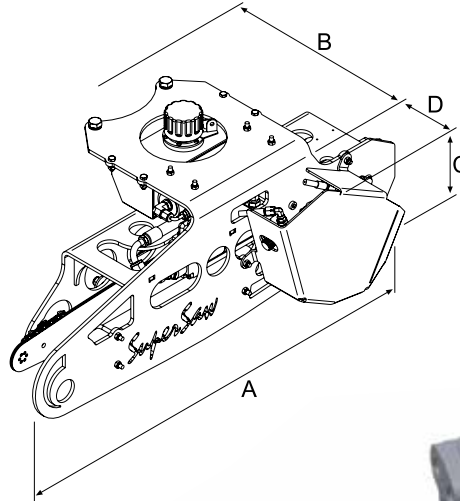
SuperSaw 555S



SuperSaw 650S, 651S



SuperSaw 6000S



SuperCut 100

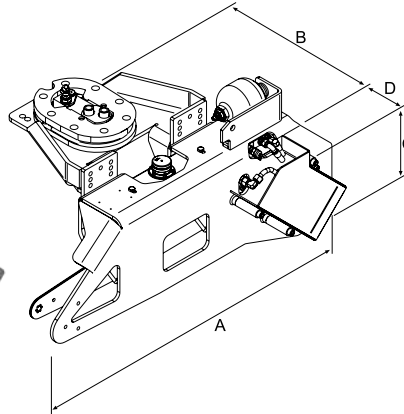
## SuperSaw 350E

### Features

- Light weight model suitable for handling of brushwood
- SuperCut 100 minimizes down time and increases productivity
- Saw unit SC100 has an inbuilt self-bleeding lube pump and proportional chain lubrication
- Automatic chain tensioning
- Built in bar feed cylinder with constant feed out torque
- Integrated mounting of saw motor
- No hoses in the saw box, chain tensioning and lube oil is swiveled through the saw motor
- Saw motor equipped with anti-cavitation valve
- Fast and easy saw bar and chain replacement
- Simple adjustment of bar feed pressure and bar feed speed
- Available with 3/4" saw bar and chain (only 19cc saw motor)
- Easy to convert from .404 to 3/4" by conversion kit
- Simple installation on forwarder and truck

|   |  | 350E-10       | 350E-19         |
|---|--|---------------|-----------------|
| <b>Saw motor displacement</b>             | <b>cm<sup>3</sup></b>                                | 10            | 19              |
| <b>Weight</b>                             | <b>kg</b>  | 89            | 94              |
| <b>Length "A"</b>                         | <b>mm</b>  | 1017          | 1017            |
| <b>Width "B"</b>                          | <b>mm</b>  | 446           | 446             |
| <b>Height "C"</b>                         | <b>mm</b>  | 331           | 331             |
| <b>Width "D"</b>                          | <b>mm</b>  | 121           | 121             |
| <b>Min. hydraulic pressure, saw motor</b> | <b>MPa</b>   | 16            | 16              |
| <b>Min. hydraulic flow, saw motor</b>     | <b>l/min</b>   | 80            | 110             |
| <b>Max. saw chain speed</b>               | See recommendations from each saw chain manufacturer |               |                 |
| <b>Max. power input to saw chain</b>      | See recommendations from each saw chain manufacturer |               |                 |
| <b>Saw chain</b>                          |  | .404"         | .404", 3/4"     |
| <b>Saw bar</b>                            | <b>cm</b>  | 75            | 75, 67          |
| <b>Saw bar feed out system</b>            |  | Pressure line | Pressure line   |
| <b>Recommended grapples</b>               |  |               | All SGII-models |





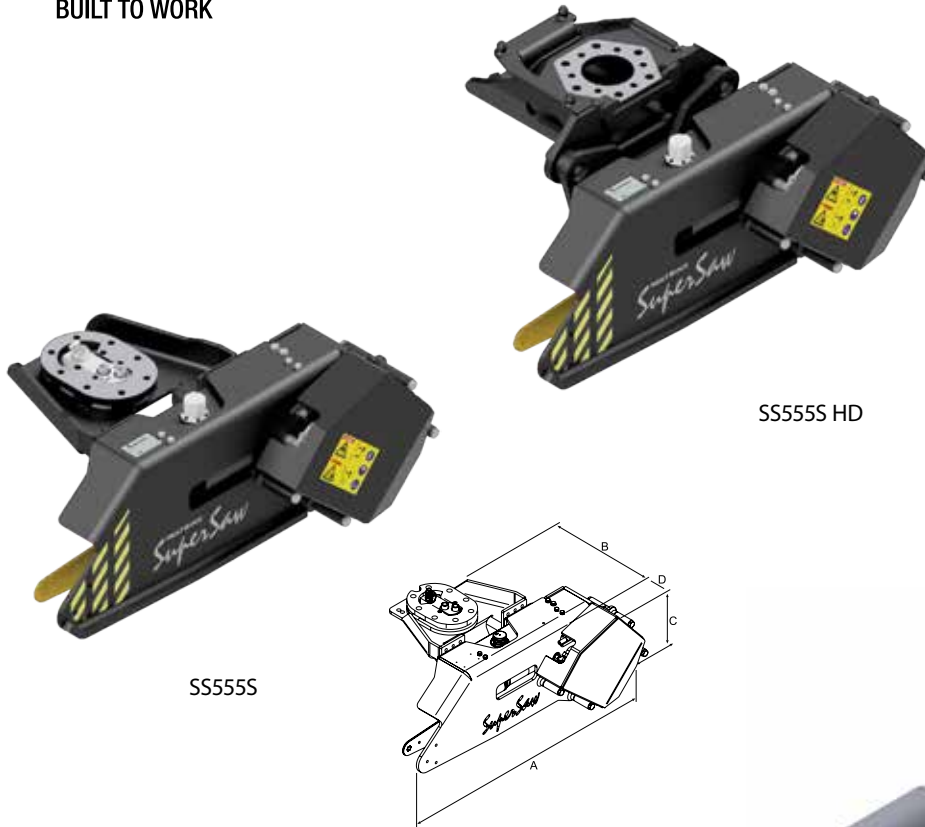
SuperCut

## SuperSaw 550, -551

### Features

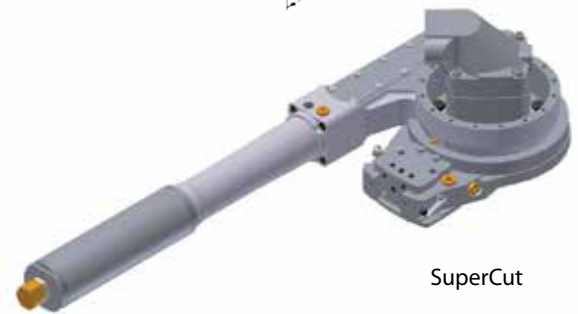
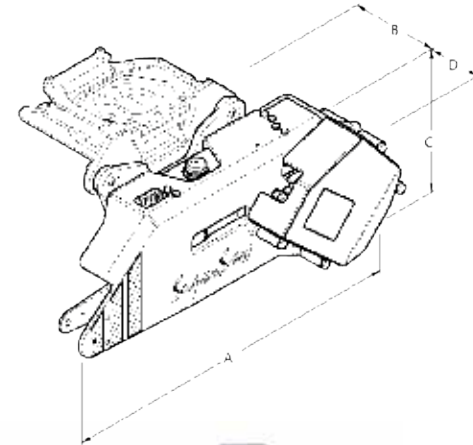
- Designed for optimal balance
- Automatic chain tensioning and proportional chain lubrication
- Fast and easy bar and chain replacement
- SuperCut minimizes down time and increases productivity
- Built in bar feed cylinder
- Integrated mounting of saw motor
- Simple installation on forwarder and truck
- Return line or pressure line feed out system

|   |                       | 550-10   | 550-19      | 551-10        | 551-19        |
|---|-----------------------|--|-------------|---------------|---------------|
| <b>Saw motor displacement</b>             | <b>cm<sup>3</sup></b> | 10   | 19          | 10            | 19            |
| <b>Weight</b>                             | <b>kg</b>             | 145  | 148         | 145           | 148           |
| <b>Length "A"</b>                         | <b>mm</b>             | 1095   | 1095        | 1095          | 1095          |
| <b>Width "B"</b>                          | <b>mm</b>             | 444  | 444         | 444           | 444           |
| <b>Height "C"</b>                         | <b>mm</b>             | 400  | 400         | 400           | 400           |
| <b>Width "D"</b>                          | <b>mm</b>             | 120  | 120         | 120           | 120           |
| <b>Min. hydraulic pressure, saw motor</b> | <b>MPa</b>            | 16   | 16          | 16            | 16            |
| <b>Min. hydraulic flow, saw motor</b>     | <b>l/min</b>          | 80   | 110         | 80            | 110           |
| <b>Max. saw chain speed</b>               |                       | See recommendations from each saw chain manufacturer |             |               |               |
| <b>Max. power input to saw chain</b>      |                       | See recommendations from each saw chain manufacturer |             |               |               |
| <b>Saw chain</b>                          |                       | .404"  | .404"       | .404"         | .404"         |
| <b>Saw bar</b>                            | <b>cm</b>             | 90   | 90          | 90            | 90            |
| <b>Saw bar feed out system</b>            |                       | Return line  | Return line | Pressure line | Pressure line |
| <b>Recommended grapples</b>               |                       | All SG, SGII och GLC models                          |             |               |               |



SS555S HD

SS555S



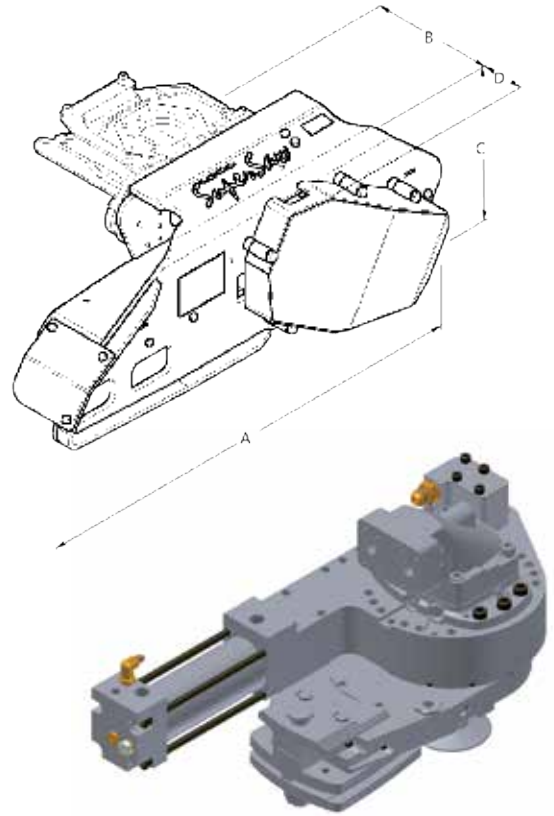
SuperCut

## SuperSaw 555S, -555S HD

### Features

- Designed for optimal balance
- Automatic chain tensioning and proportional chain lubrication
- Fast and easy bar and chain replacement
- SuperCut minimizes down time and increases productivity
- Built in bar feed cylinder
- Integrated mounting of saw motor
- Pressure feed out system for optimized saw performance
- Simple adjustment of bar feed pressure
- Simple installation on forwarder and truck (SS555S) and excavator (SS555S HD)

|                                    |  | 555S-19       | 555S HD-19    |
|------------------------------------|--|---------------|---------------|
| Saw motor displacement             | cm <sup>3</sup>                                      | 19            | 19            |
| Weight                             | kg   | 195           | 235           |
| Length "A"                         | mm   | 1168          | 1168          |
| Width "B"                          | mm   | 376           | 434           |
| Height "C"                         | mm   | 465           | 465           |
| Width "D"                          | mm   | 148           | 148           |
| Min. hydraulic pressure, saw motor | MPa  | 16            | 16            |
| Min. hydraulic flow, saw motor     | l/min  | 110           | 110           |
| Max. saw chain speed               | See recommendations from each saw chain manufacturer |               |               |
| Max. power input to saw chain      | See recommendations from each saw chain manufacturer |               |               |
| Saw chain                          |  | .404"         | .404"         |
| Saw bar                            | cm   | 90            | 90            |
| Saw bar feed out system            |  | Pressure line | Pressure line |
| Recommended grapples 555S          | SGII 360S, SGII 420S and SG 360S, SG 520S            |               |               |
| Recommended grapples 555S HD       | SG360S and SG520S                                    |               |               |



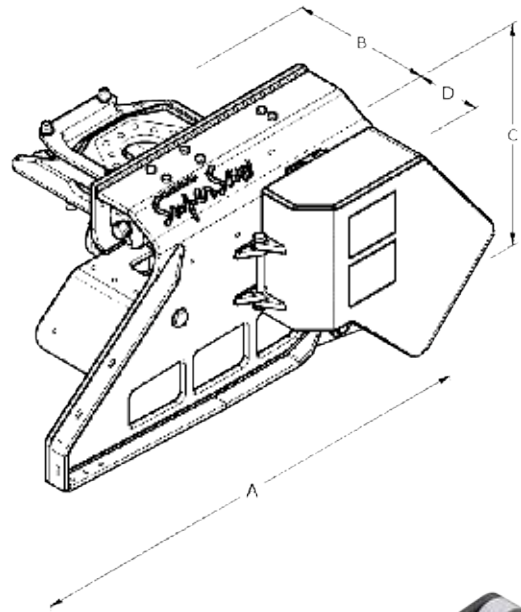
SuperCut 300

## SuperSaw 650S, 651S

### Features

- Designed for optimal balance
- Saw unit SC300 has an inbuilt self-bleeding lube pump and proportional chain lubrication
- Automatic chain tensioning
- Fast and easy saw bar and chain replacement
- SuperCut 300 minimizes down time and increases productivity
- Built in bar feed cylinder with constant feed out torque
- Integrated mounting of saw motor
- No hoses in the saw box, chain tensioning and lube oil is swiveled through the saw motor
- Built in anti-cavitation circuit for saw motor
- Simple installation on excavator
- Return or pressure line feed out system

|                                    |                 | 650S-40  | 651S-40       |
|------------------------------------|-----------------|--|---------------|
| Saw motor displacement             | cm <sup>3</sup> | 40   | 40            |
| Weight                             | kg              | 370  | 370           |
| Length "A"                         | mm              | 1 397  | 1 397         |
| Width "B"                          | mm              | 520  | 520           |
| Height "C"                         | mm              | 511  | 511           |
| Width "D"                          | mm              | 108  | 108           |
| Min. hydraulic pressure, saw motor | MPa             | 18   | 18            |
| Min. hydraulic flow, saw motor     | l/min           | 172  | 172           |
| Max. saw chain speed               |                 | See recommendations from each saw chain manufacturer |               |
| Max. power input to saw chain      |                 | See recommendations from each saw chain manufacturer |               |
| Saw chain                          |                 | ¾"   | ¾"            |
| Saw bar                            | cm              | 100  | 100           |
| Saw bar feed out system            |                 | Return line  | Pressure line |
| Recommended grapple                |                 |  | SG520S        |



## SuperSaw 6000S

### Features

- Modular design for easy customization
- Optional saw bar lengths with suitable guards
- Designed for optimal balance with off-set rotator mount
- Robust saw unit with extra strong feed cylinder
- Automatic saw chain tension
- Double acting cam curve, lubricates also at bar return
- Double lube oil pumps ensure lubrication volume
- Fast and easy bar and chain replacement
- Optional lubricating oil tank, built in 8 litre or external 26,5 litre
- Built in anti-cavitation circuit for saw motor
- Simple installation on excavator

|   |                       | <b>6000S-40</b>                                      | <b>6000S-60</b>           |
|---|-----------------------|--|---------------------------|
| <b>Saw motor displacement</b>             | <b>cm<sup>3</sup></b> | 40   | 60                        |
| <b>Weight</b>                             | <b>kg</b>             | 340 / 360 / 372 / 383                                | 343 / 363 / 375 / 386     |
| <b>Length "A"</b>                         | <b>mm</b>             | 1420 / 1545 / 1740 / 1947                            | 1420 / 1545 / 1740 / 1947 |
| <b>Width "B"</b>                          | <b>mm</b>             | 421  | 421                       |
| <b>Height "C"</b>                         | <b>mm</b>             | 678  | 678                       |
| <b>Width "D"</b>                          | <b>mm</b>             | 193  | 193                       |
| <b>Min. hydraulic pressure, saw motor</b> | <b>MPa</b>            | 18   | 18                        |
| <b>Min. hydraulic flow, saw motor</b>     | <b>l/min</b>          | 172  | 172                       |
| <b>Max. saw chain speed</b>               |                       | See recommendations from each saw chain manufacturer |                           |
| <b>Max. power input to saw chain</b>      |                       | See recommendations from each saw chain manufacturer |                           |
| <b>Saw chain</b>                          |                       | 3/4"   | 3/4"                      |
| <b>Saw bar</b>                            | <b>cm</b>             | 100 / 113 / 130 / 150                                | 100 / 113 / 130 / 150     |
| <b>Saw bar feed out system</b>            |                       | Pressure line  | Pressure line             |
| <b>Recommended grapple</b>                |                       | SG 520 and up  | SG 520 and up             |





SuperSaw 350E



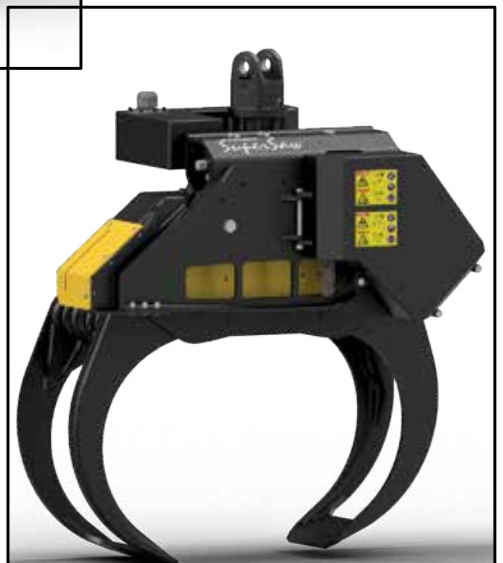
SuperSaw 550, 551



SuperSaw 555S



SuperSaw 650S, 651S



SuperSaw 6000S



For any further information and support:

**New Zealand Distribution**

Waratah Forestry Services, 0800 492 728

**Australian Distribution**

Waratah Forestry Equipment 03 97474200

This brochure has been compiled with care for Australian and New Zealand circulation. While general information, pictures and descriptions are provided, some illustrations and text may include options and accessories not available in all regions. Please contact your local Waratah retail centre for details. Waratah reserves the right to change specifications and design for products described in this brochure without notice. No liability for errors and omissions.