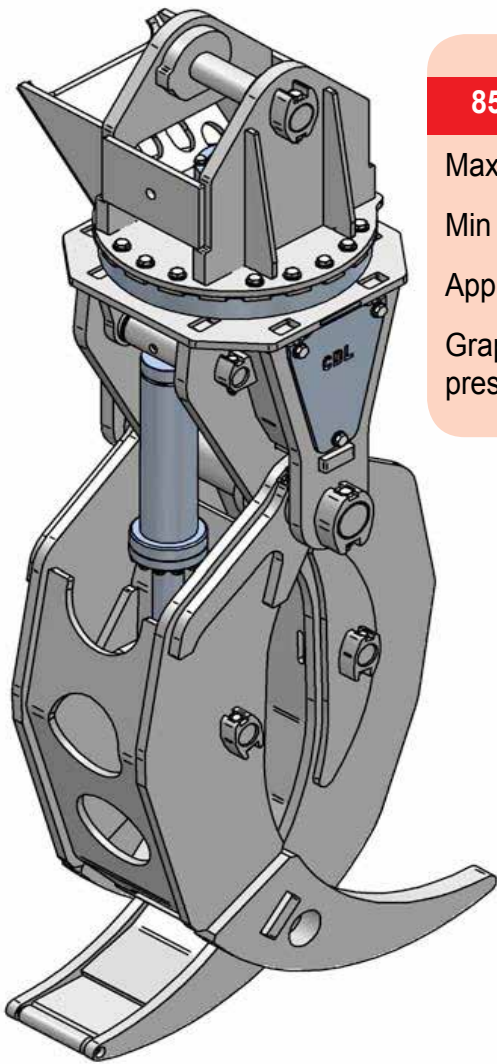
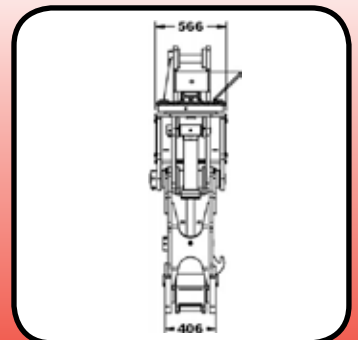
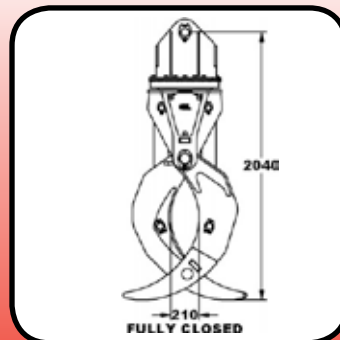
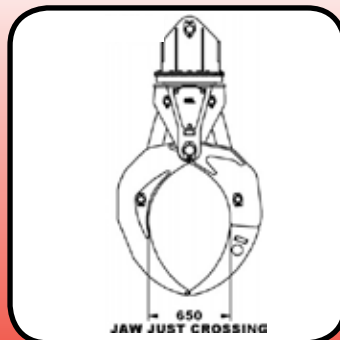
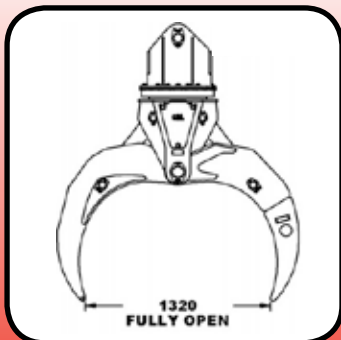
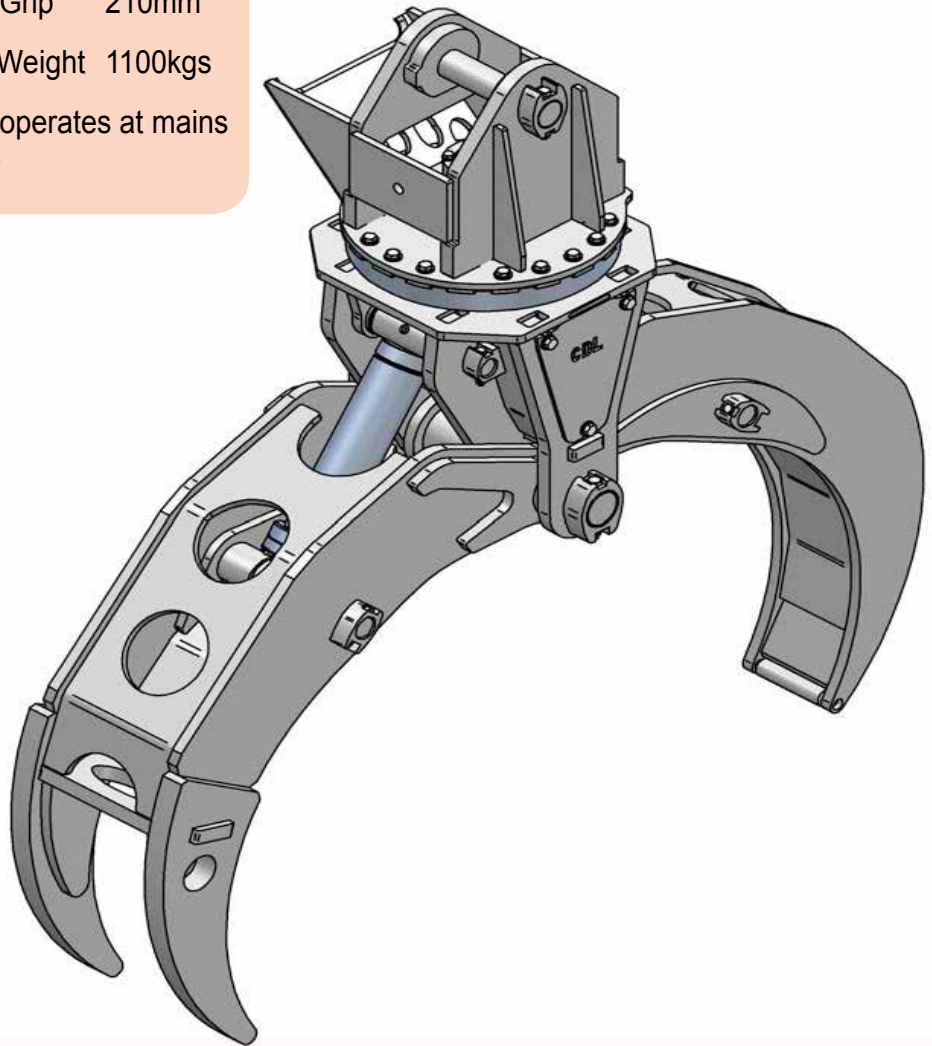


M-SERIES GRAPPLE MODEL 852

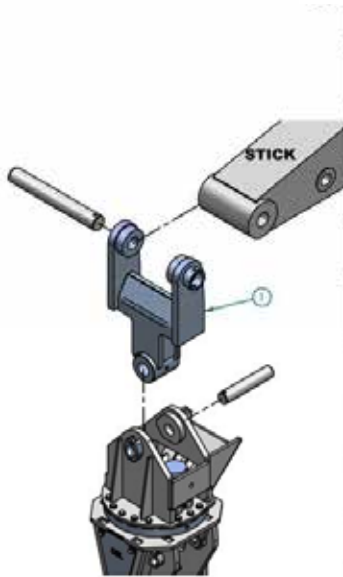


852 SPECIFICATIONS

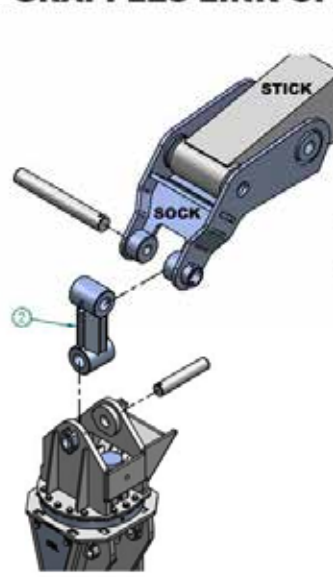
- Max Opening 1320mm
- Min Log Grip 210mm
- Approx. Weight 1100kgs
- Grapple operates at mains pressure



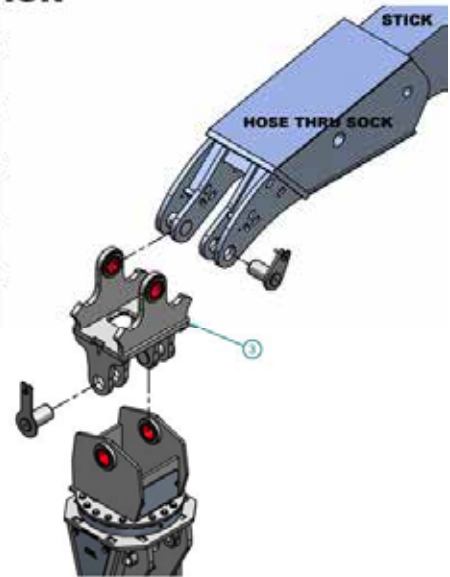
GRAPPLES LINK OPTION



STANDARD LINK

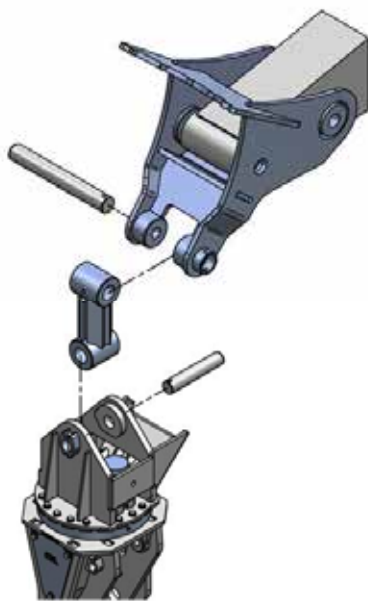


KNUCKLE LINK

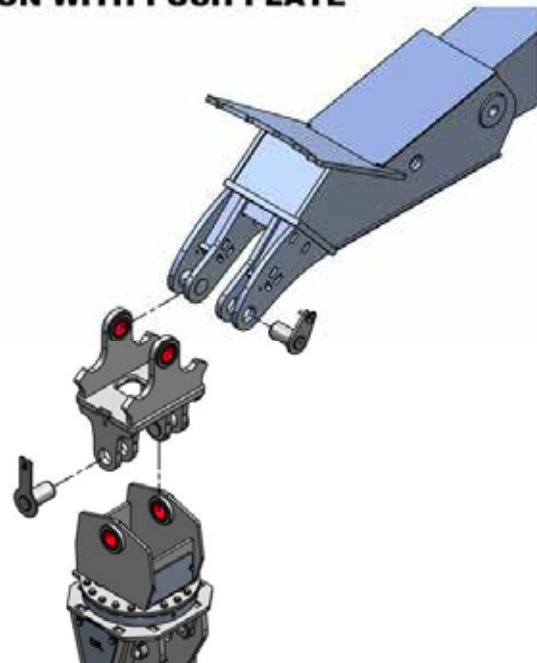


HOSE THRU LINK

GRAPPLES LINK OPTION WITH PUSH PLATE



KNUCKLE LINK PUSH PLATE



HOSE THRU LINK PUSH PLATE

For any further information and support:

New Zealand Distribution

Waratah Forestry Services, 0800 492 728

Australian Distribution

Waratah Forestry Equipment 03 97474200

M-SERIES GRAPPLE MODEL 864

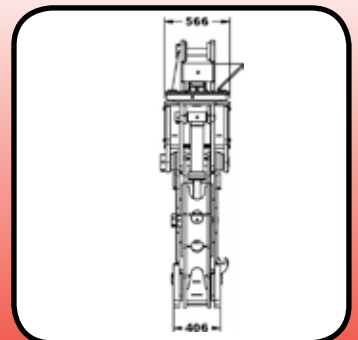
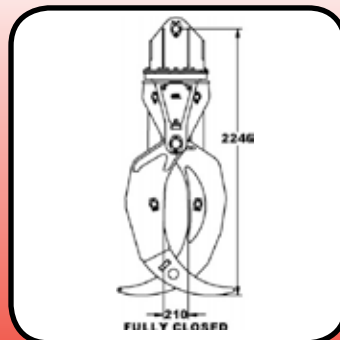
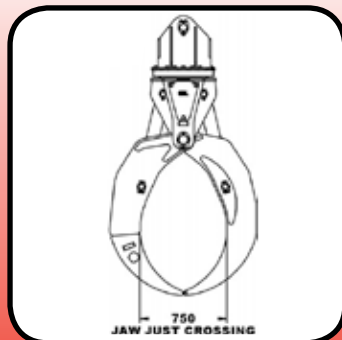
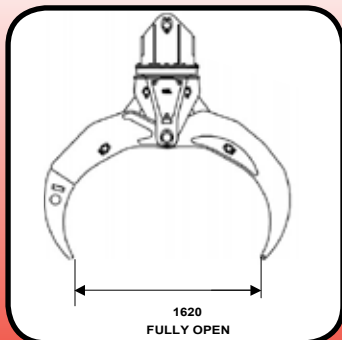
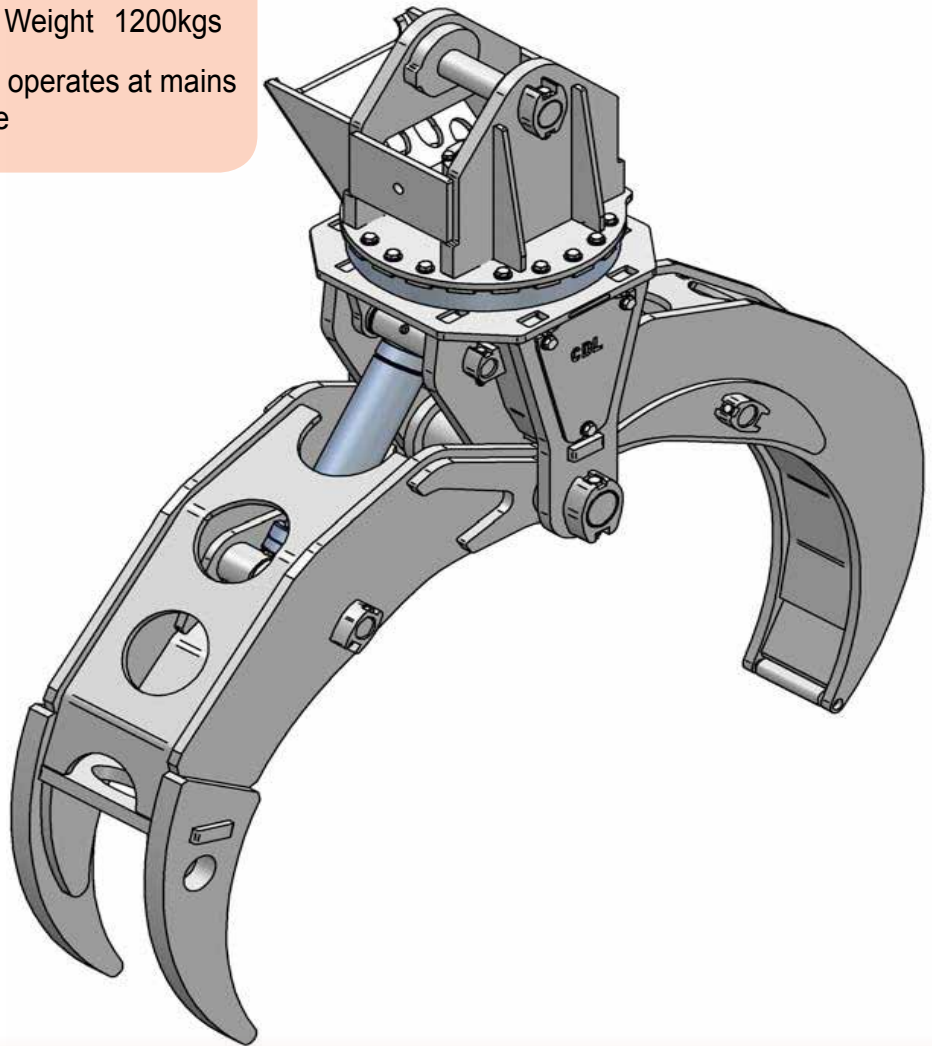
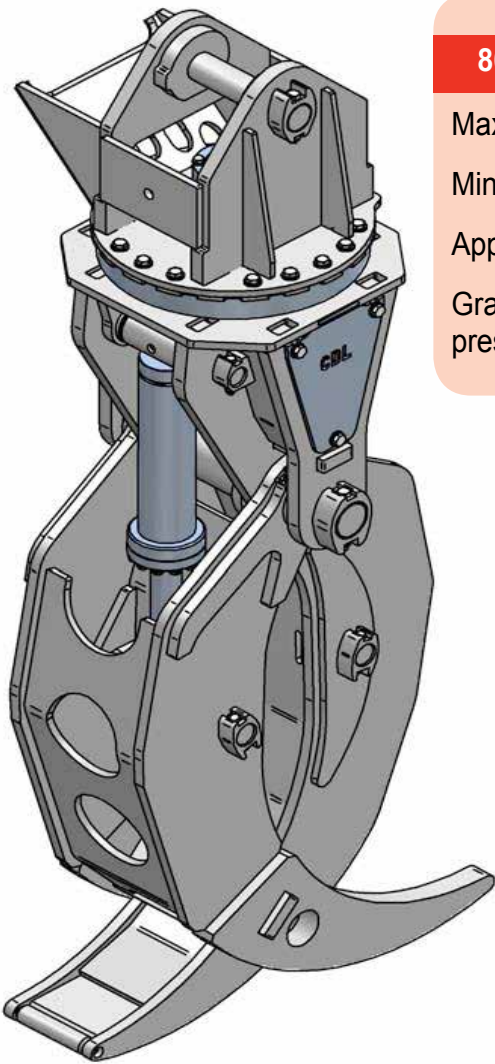
864 SPECIFICATIONS

Max Opening 1620mm

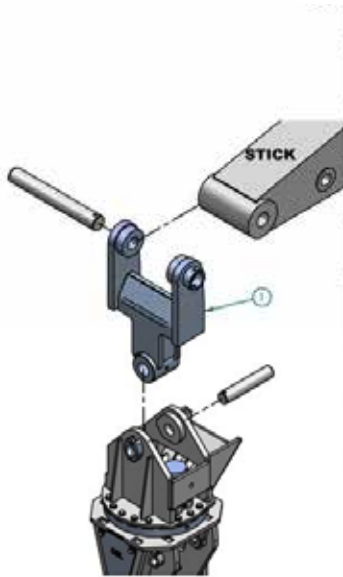
Min Log Grip 210mm

Approx. Weight 1200kgs

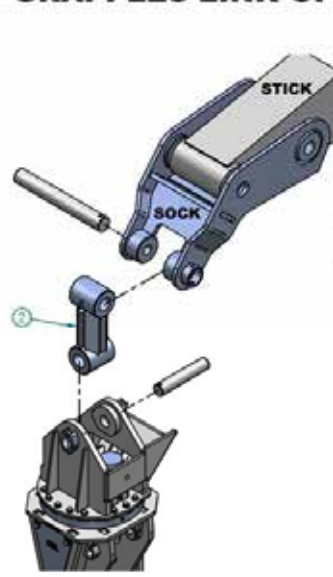
Grapple operates at mains pressure



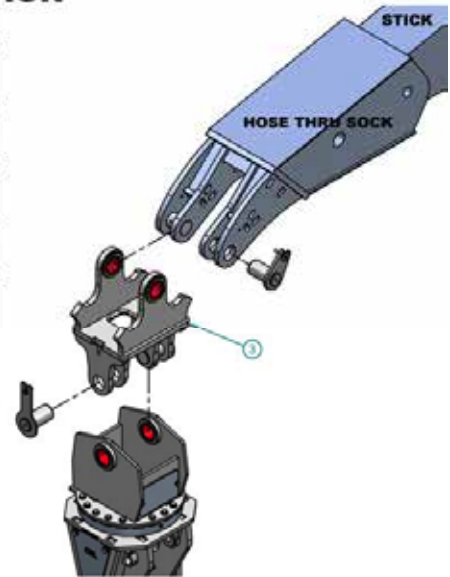
GRAPPLES LINK OPTION



STANDARD LINK

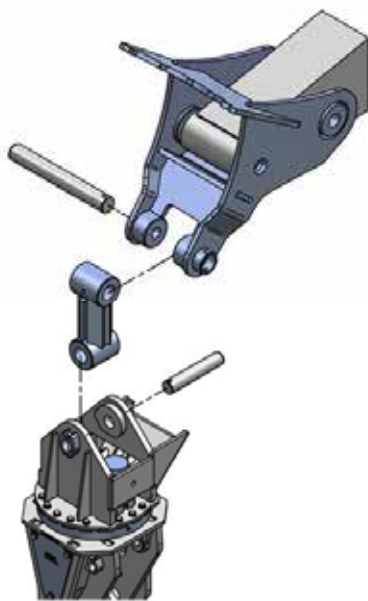


KNUCKLE LINK

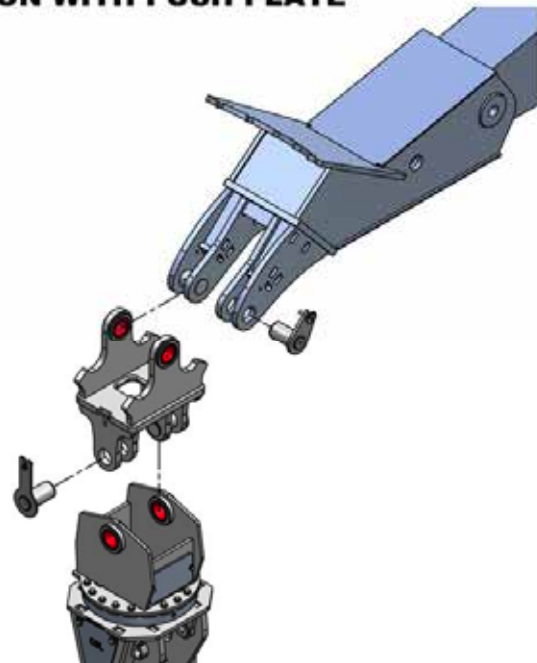


HOSE THRU LINK

GRAPPLES LINK OPTION WITH PUSH PLATE



KNUCKLE LINK PUSH PLATE



HOSE THRU LINK PUSH PLATE

For any further information and support:

New Zealand Distribution

Waratah Forestry Services, 0800 492 728

Australian Distribution

Waratah Forestry Equipment 03 97474200