

WARATAH

HARVESTER AND FORWARDER CRANES



 **waratah**
BUILT TO WORK



Maximum productivity. Minimal downtime.

You need equipment that can take on the big jobs – and that’s durable enough to keep going day after day. Whatever it takes, as long as it takes, to get the job done.

That combination – as versatile as they are strong, as reliable as they are rugged – is what Waratah Attachments are all about. We know that spending hours on repairs is money out of your pocket. So we design, test, and build each attachment to work when facing the challenges of the woods. All to keep you productive and competitive – and ultimately boost your bottom line.

From harvesting and processing heads to booms and cranes to measuring systems, Waratah offers the most comprehensive range of products in the forestry industry. And by continually refining our products and processes, with a focus on increased mechanization and technology application, we’ve built a reputation in global forestry. We’re built to work. Period.



It's our job to keep you working.

At Waratah, we're known for two things: our tough-as-nails products and our in-the-trenches customer service. When you purchase a Waratah crane, you're getting more than equipment – you're getting a dedicated team of technicians who'll stand behind the product for the duration of its use. From installation to maintenance and troubleshooting, our service team and your local dealer get you the help you need – when you need it. You see, we understand that if you're not in the woods working, you're not making money. And that affects everything we do as an organization. That's what we mean when we say Waratah heads are built to work.

We also know you work long hours, so we work long hours, too. That way, we're there for you when you need us most.

But our dedication to service begins before you take delivery, thanks to our extensive Waratah distribution network that makes it as easy for you to buy our products as it is to have them serviced. Most important – when you need us most, we are just a phone call away.

Table of contents

CF1 forwarder crane	5
CF5 forwarder crane	6
CF7 forwarder crane	7
CF7S forwarder crane	8
CF8 forwarder crane	9
CH95 harvester crane	11
CH135 harvester crane	12
CH6 harvester crane	13
CH7 harvester crane	14
CH8 harvester crane	15

Forwarder cranes



Waratah offers purpose-built forwarder booms and cranes. These forestry booms and cranes dramatically increase the working zone and ability to work close to the carrier, as well as provide optimum height and lift capacity.

CF1 CF5 CF7 CF7S CF8

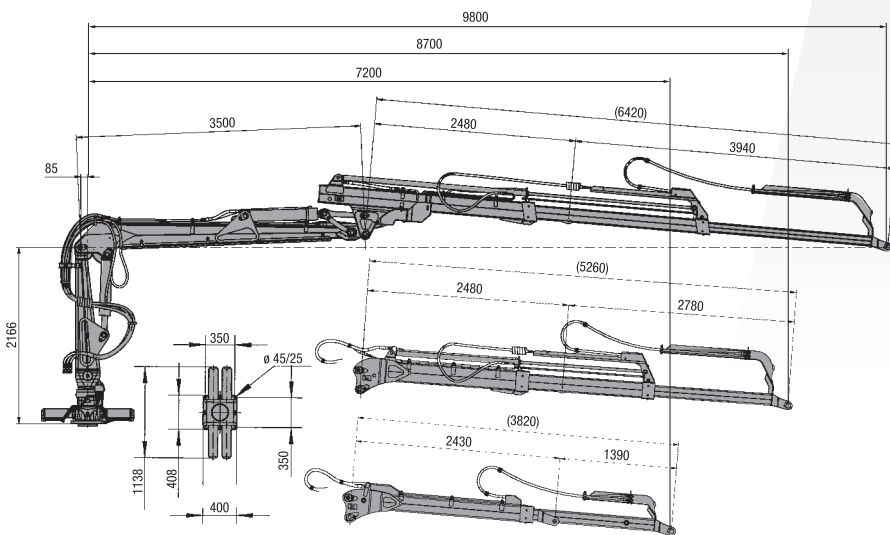
CF1 TECHNICAL DATA

		CF172	CF187	CF198
Outreach	m	7,2	8,7	9,8
Lifting moment, gross	kNm	76	76	76
Max. load	kg	730	510	410
Stroke of boom extension	mm	1390	2780	3940
Slewing torque, gross	kNm	19	19	19
Slewing angle	°	380	380	380
Weight (without oil)	kg	1220	1340	1400

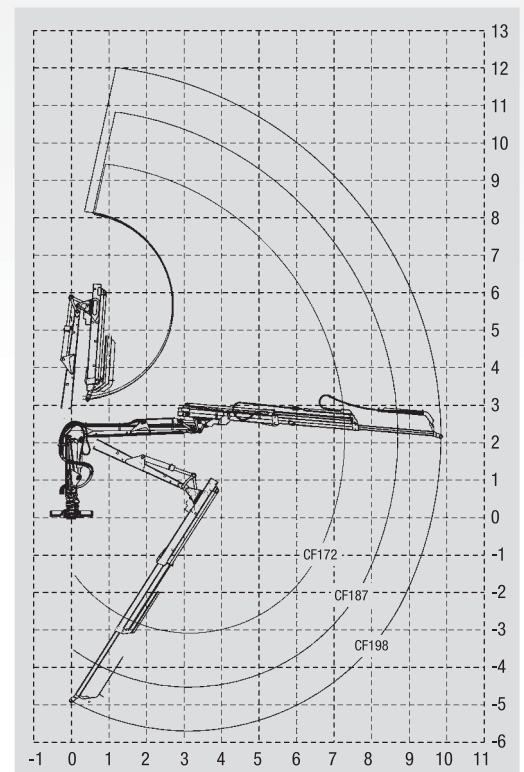
PUMP RECOMMENDATION

Max. working pressure	MPa	24	24	24
Oil flow	l/min	60-80	60-80	60-80
Power input	kW	27-36	27-36	27-36

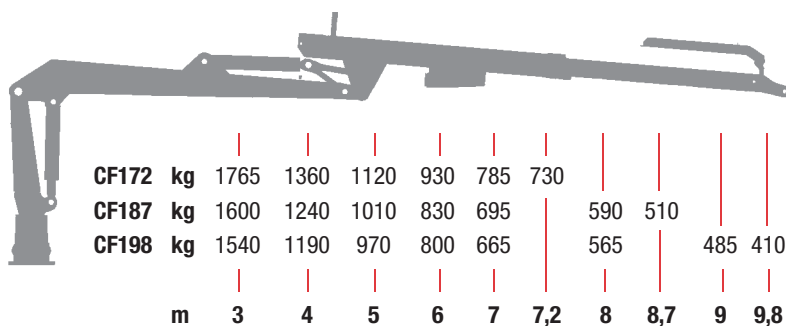
MAIN DIMENSIONS



OUTREACH



CAPACITY



CF5

FORWARDER CRANE

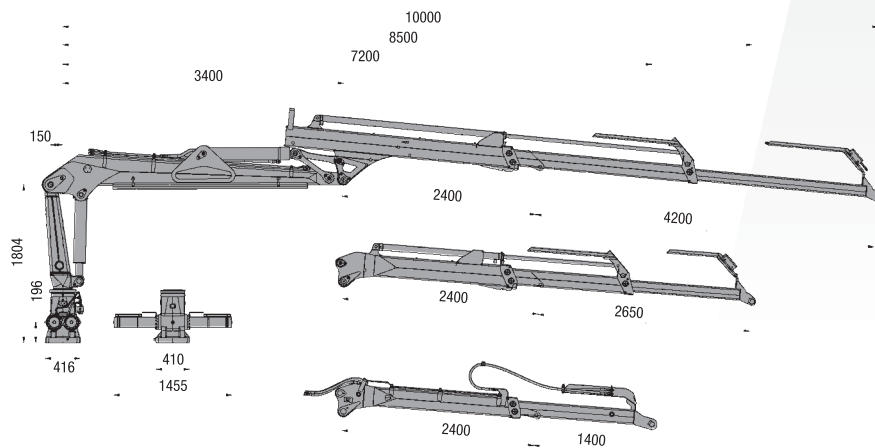
CF5 TECHNICAL DATA

		CF572	CF585	CF510
Outreach	m	7,2	8,5	10,0
Lifting moment, gross	kNm	102	102	102
Max. load	kg	1080	800	580
Stroke of boom extension	mm	1390	2630	4200
Slewing torque, gross	kNm	24	24	24
Slewing angle	°	380	380	380
Weight (without oil)	kg	1225	1355	1460

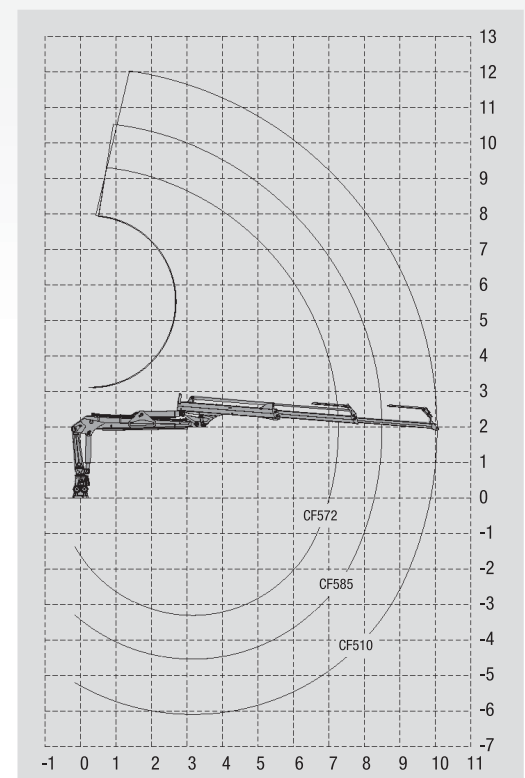
PUMP RECOMMENDATION

Max. working pressure	MPa	24	24	24
Oil flow	l/min	80-100	80-100	80-100
Power input	kW	32-40	32-40	32-40

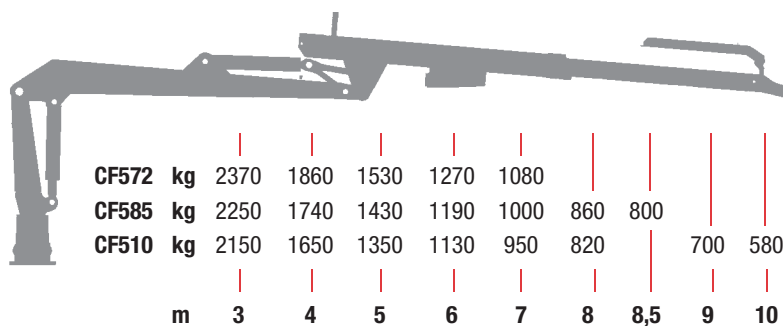
MAIN DIMENSIONS



OUTREACH



CAPACITY



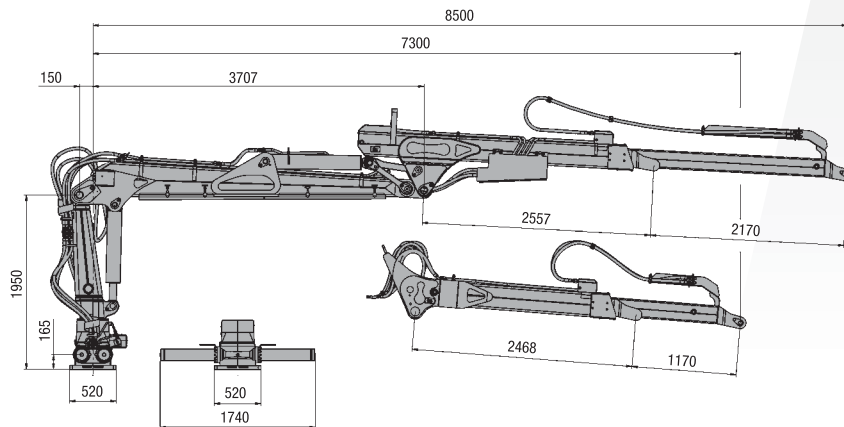
CF7 TECHNICAL DATA

		CF772	CF785	CF710
Outreach	m	7,2	8,5	10,0
Lifting moment, gross	kNm	125	125	125
Max. load	kg	1250	985	810
Stroke of boom extension	mm	1390	2630	4200
Slewing torque, gross	kNm	32	32	32
Slewing angle	°	380	380	380
Weight (without oil)	kg	1610	1660	1750

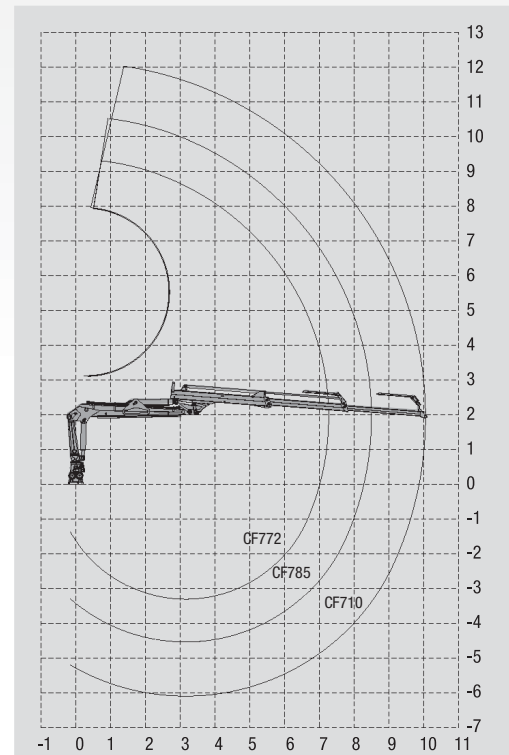
PUMP RECOMMENDATION

Max. working pressure	MPa	24	24	24
Oil flow	l/min	80-100	80-100	80-100
Power input	kW	32-40	32-40	32-40

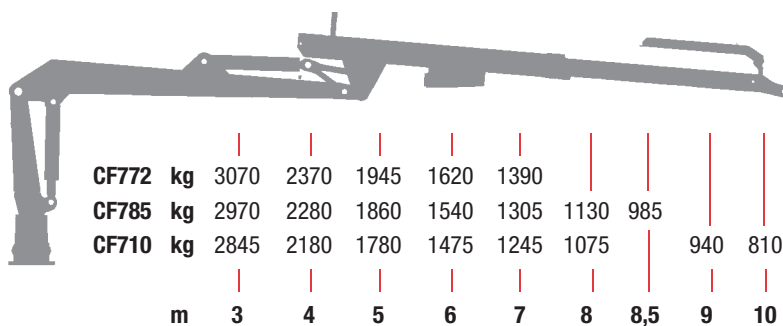
MAIN DIMENSIONS



OUTREACH



CAPACITY



CF7S

FORWARDER CRANE

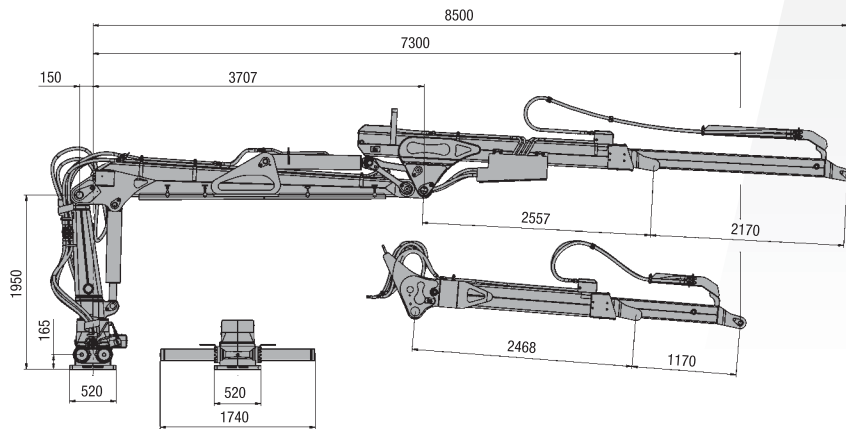
CF7S TECHNICAL DATA

		CF772S	CF785S	CF710S
Outreach	m	7,2	8,5	10,0
Lifting moment, gross	kNm	135	135	135
Max. load	kg	1400	1100	865
Stroke of boom extension	mm	1390	2630	4200
Slewing torque, gross	kNm	32	32	32
Slewing angle	°	380	380	380
Weight (without oil)	kg	1710	1760	1850

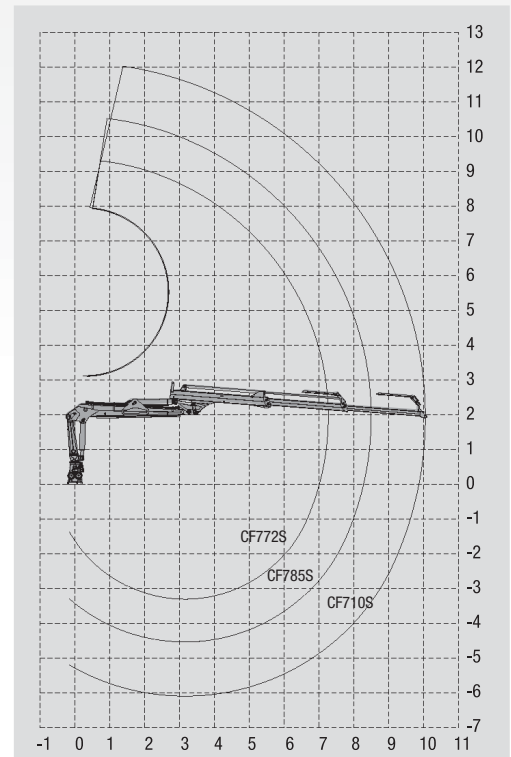
PUMP RECOMMENDATION

Max. working pressure	MPa	24	24	24
Oil flow	l/min	80-100	80-100	80-100
Power input	kW	32-40	32-40	32-40

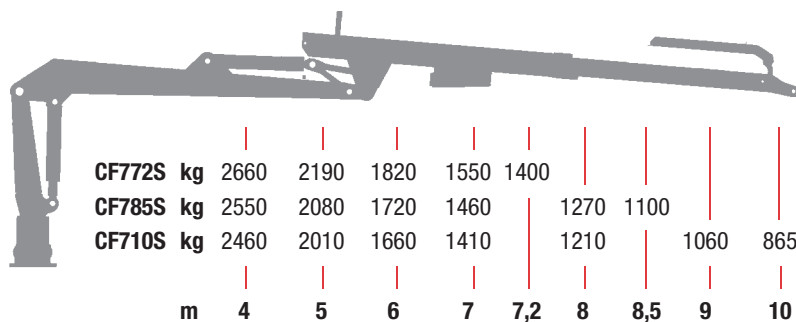
MAIN DIMENSIONS



OUTREACH



CAPACITY



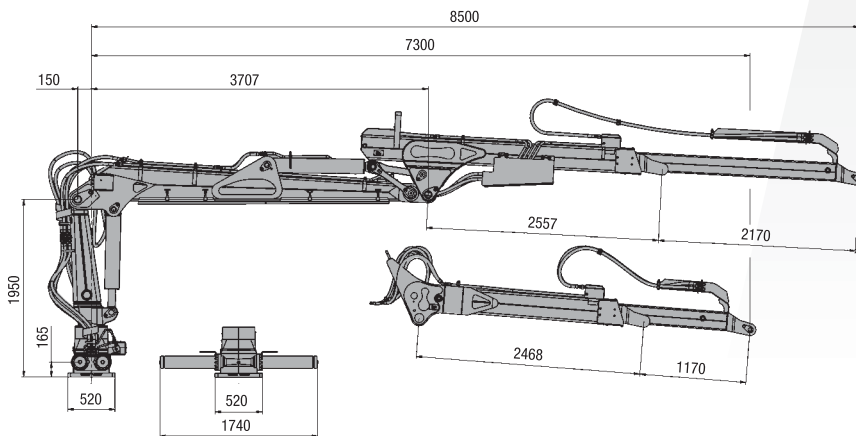
CF8 TECHNICAL DATA

		CF873	CF885
Outreach	m	7,3	8,5
Lifting moment, gross	kNm	151	151
Max. load	kg	1650	1185
Stroke of boom extension	mm	1200	2170
Slewing torque, gross	kNm	41	41
Slewing angle	°	380	380
Weight (without oil)	kg	2010	2150

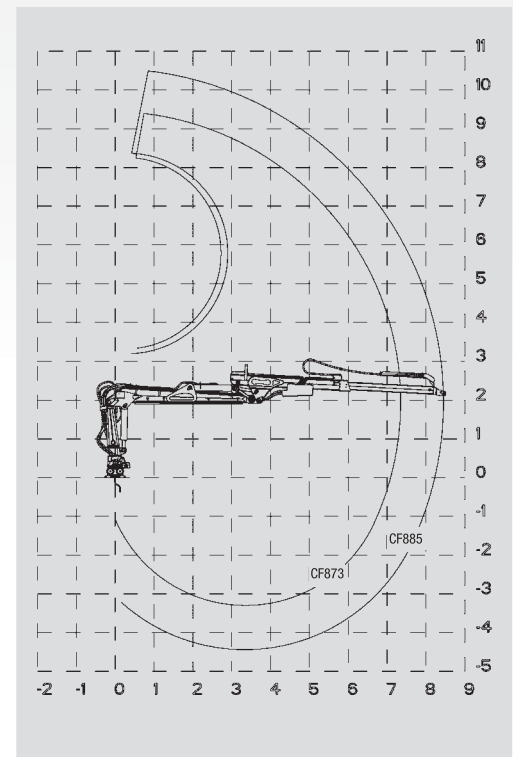
PUMP RECOMMENDATION

Max. working pressure	MPa	24	24
Oil flow	l/min	80-100	80-100
Power input	kW	32-40	32-40

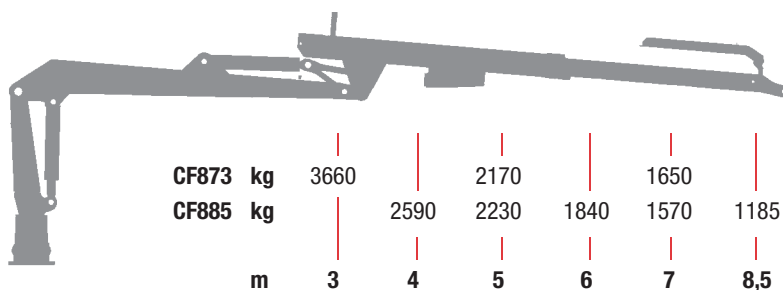
MAIN DIMENSIONS



OUTREACH



CAPACITY



Harvester cranes



Waratah offers purpose-built harvester booms and cranes. These forestry booms and cranes dramatically increase the working zone and ability to work close to the carrier, as well as provide optimum height and lift capacity.

CH95 CH135S CH6 CH7 CH8

CH95

HARVESTER CRANE

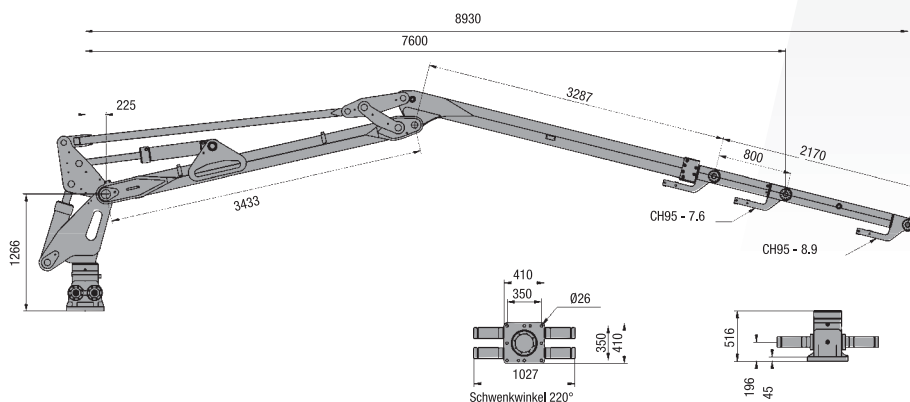
CH95 TECHNICAL DATA

		CH95 - 7.6	CH95 - 8.9
Outreach	m	7,9	9,2
Lifting moment, gross	kNm	95	95
Max. load	kg	990	780
Stroke of boom extension	mm	800	2170
Slewing torque, gross	kNm	24,4	24,4
Slewing angle	°	220	220
Tilt angle	°	-14 ...+28	-14 ...+28
Weight (without oil)	kg	1600	1650

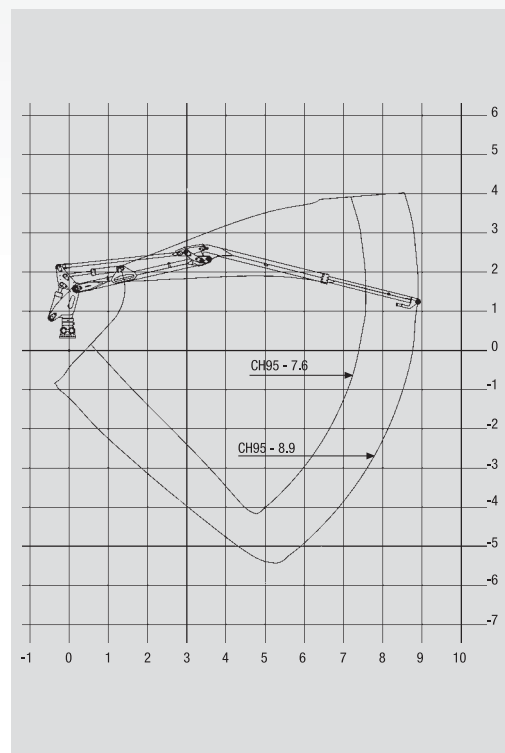
PUMP RECOMMENDATION

	MPa	21,5	21,5
Max. working pressure	MPa	21,5	21,5
Oil flow	l/min	120	120
Power input	kW	43	43

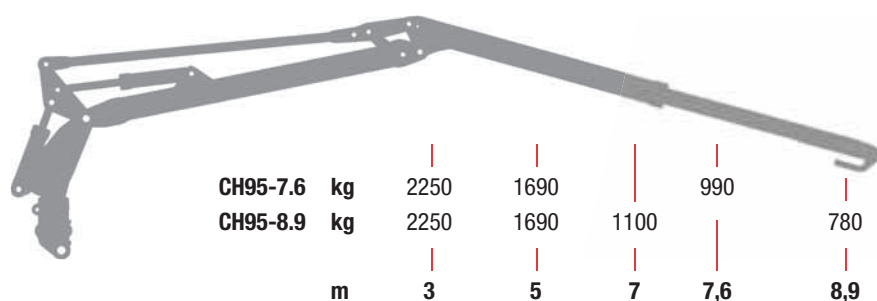
MAIN DIMENSIONS



OUTREACH



CAPACITY



CH135S

HARVESTER CRANE

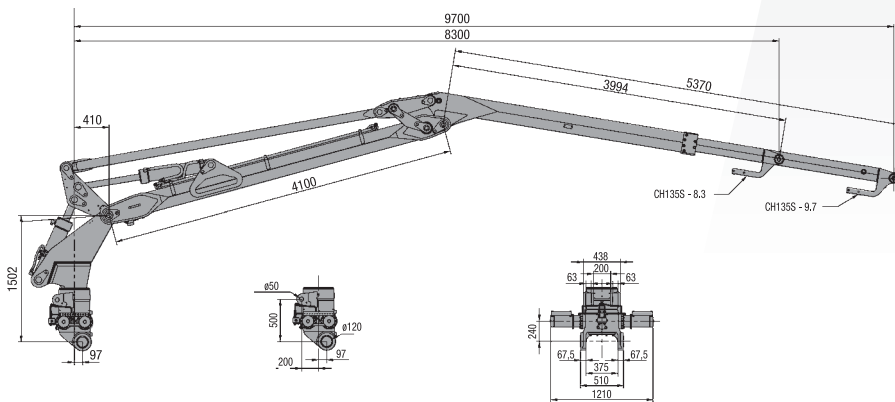
CH135S TECHNICAL DATA

		CH135S - 8.3	CH135S - 9.7	CH135S - 11.0
Outreach	m	8,6	10,0	10,8
Lifting moment, gross	kNm	143	143	143
Max. load	kg	1230	1000	710
Stroke of boom extension	mm	800	2170	3486
Slewing torque, gross	kNm	38,4	38,4	38,4
Slewing angle	°	220	220	220
Tilt angle	°	-14 ...+28	-14 ...+28	-14 ...+28
Weight (without oil)	kg	2130	2200	2250

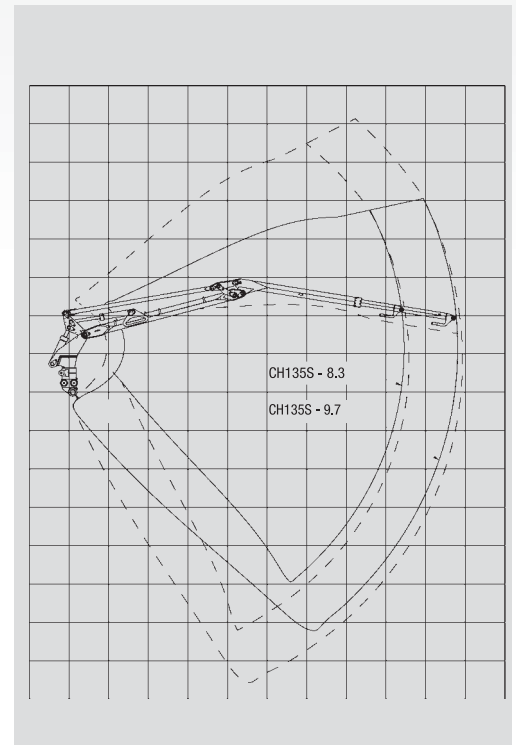
PUMP RECOMMENDATION

		CH135S - 8.3	CH135S - 9.7	CH135S - 11.0
Max. working pressure	MPa	24	24	24
Oil flow	l/min	120	120	120
Power input	kW	50	50	50

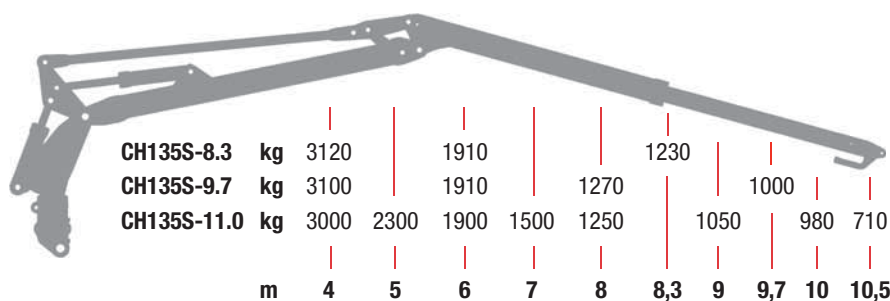
MAIN DIMENSIONS



OUTREACH



CAPACITY



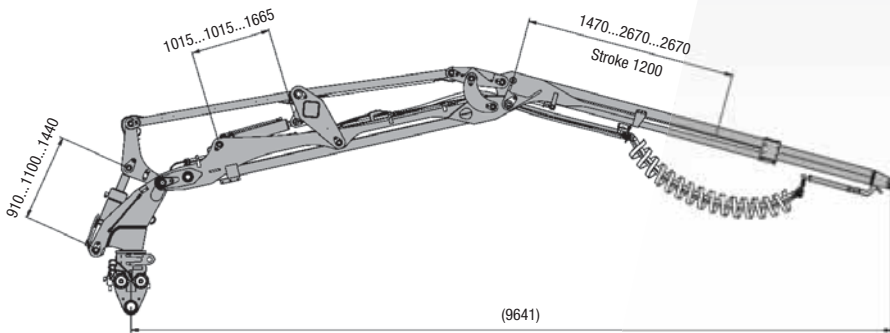
CH6 TECHNICAL DATA

		CH610	CH6113
Outreach	m	10,0	11,3
Lifting moment, gross	kNm	160	160
Max. load	kg	1150	960
Stroke of boom extension	mm	1250	2250
Slewing torque, gross	kNm	45	45
Slewing angle	°	220	220
Tilt angle	°	-14 ...+28	-14 ...+28
Weight (without oil)	kg	2300	2350

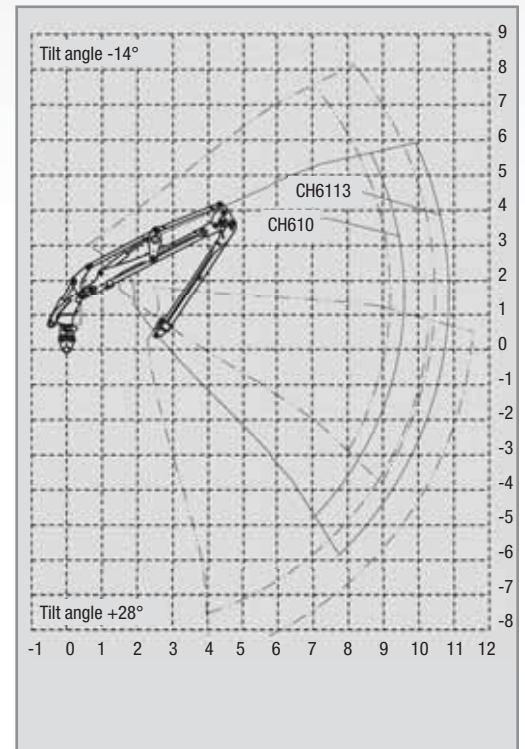
PUMP RECOMMENDATION

		CH610	CH6113
Max. working pressure	MPa	24	24
Oil flow	l/min	240	240
Power input	kW	100	100

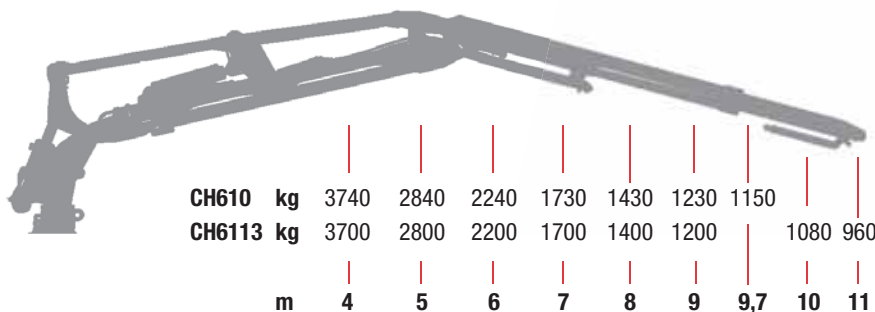
MAIN DIMENSIONS



OUTREACH



CAPACITY



CH7

HARVESTER CRANE

CH7 TECHNICAL DATA

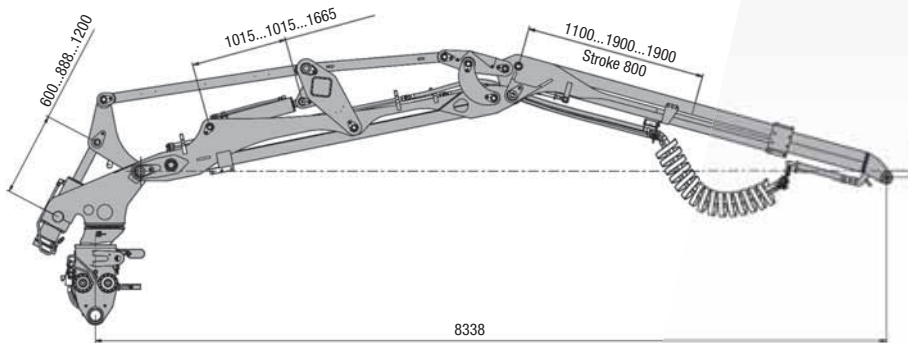
		CH786	CH710	CH7117
Outreach	m	8,6	10,0	11,7
Lifting moment, gross	kNm	199	199	199
Max. load	kg	1750	1450	1150
Stroke of boom extension	mm	800	1200	2500
Slewing torque, gross	kNm	50	50	50
Slewing angle	°	220	220	220
Tilt angle	°	-15 ... +28	-15 ... +28	-15 ... +28
Weight (without oil)	kg	3050	3100	3200

PUMP RECOMMENDATION

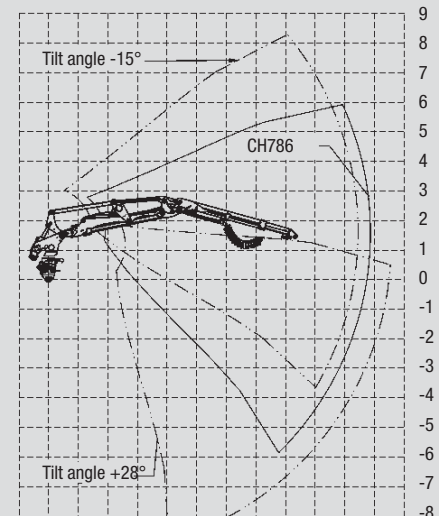
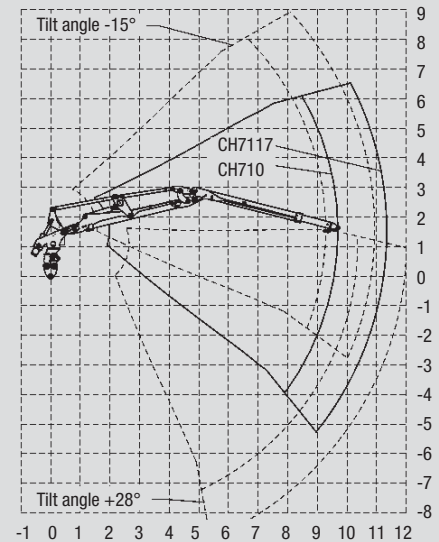
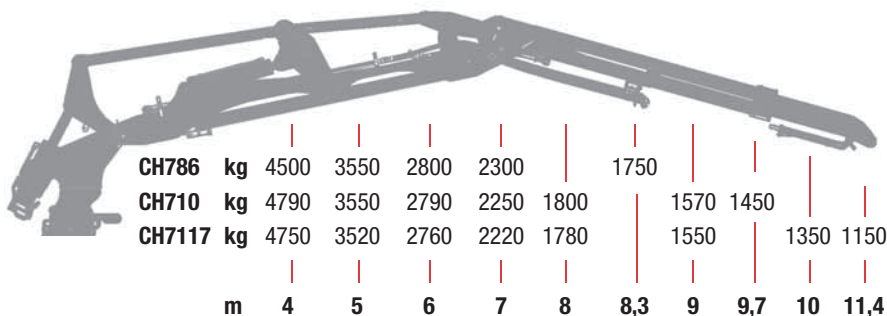
		CH786	CH710	CH7117
Max. working pressure	MPa	24	24	24
Oil flow	l/min	285	285	285
Power input	kW	120	120	120

OUTREACH

MAIN DIMENSIONS



CAPACITY



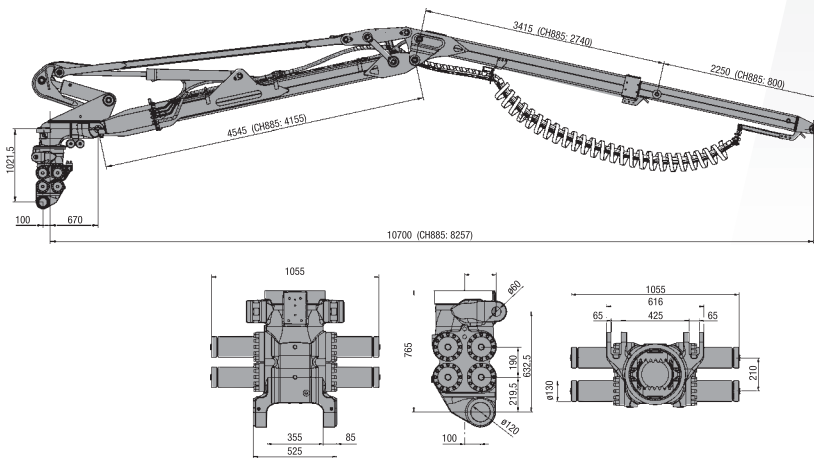
CH8 TECHNICAL DATA

		CH885	CH810	CH811
Outreach	m	8,6	10,0	11,0
Lifting moment, gross	kNm	210	210	210
Max. load	kg	2130	1550	1380
Stroke of boom extension	mm	800	1250	2250
Slewing torque, gross	kNm	55	55	55
Slewing angle	°	220	220	220
Tilt angle	°	-15 ...+28	-15 ...+28	-15 ...+28
Weight (without oil)	kg	3150	3250	3300

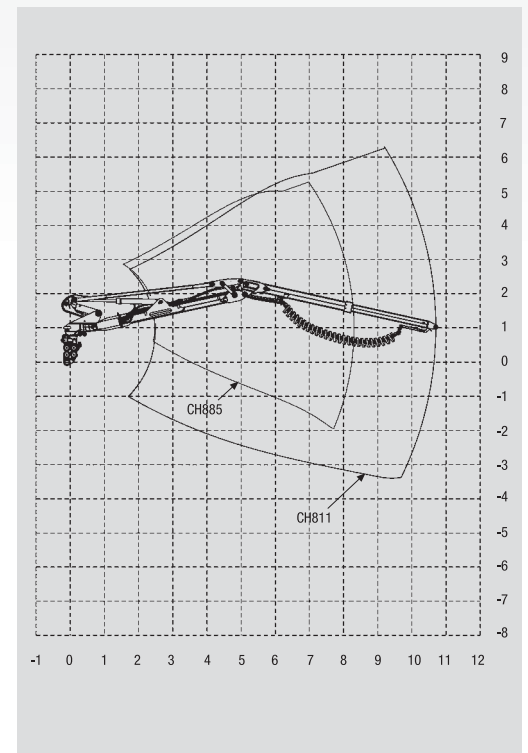
PUMP RECOMMENDATION

		CH885	CH810	CH811
Max. working pressure	MPa	25	25	25
Oil flow	l/min	315	315	315
Power input	kW	140	140	140

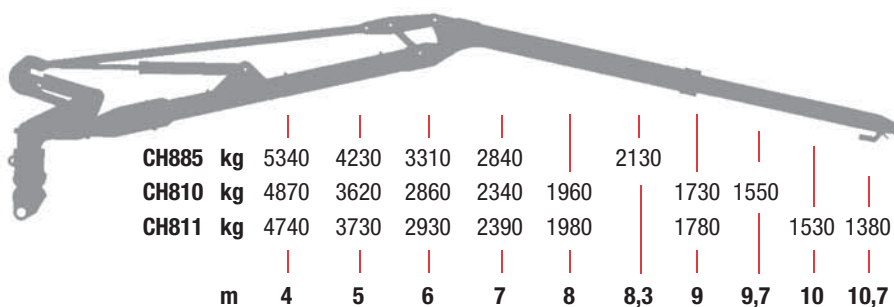
MAIN DIMENSIONS



OUTREACH



CAPACITY



Work hard. And smart.

Waratah provides forestry products and equipment that are every bit as tough as your workday is long. Equipment that performs, no matter what you and the woods throw at it. We've been at this with you for more than 30 years now and we intend to keep working with you for many more. How will we get there? By listening to customers like you. Focusing on innovation. And, most importantly, by always providing unsurpassed levels of support to you, our customer.



www.Waratah.net